

## Greenough - Stereo - Zoom microscope - GSZ 2T



### Brief description & technical data

#### Greenough - Stereo - Zoom Microscope - GSZ 2

The GSZ 2 is a Greenough stereo zoom microscope. It has two objectives combined into a pair lenses, which are positioned at an angle of approx.  $11^\circ$  to each other, creating a spatial impression is created.

The objectives are characterized by high optical performance and large flattened fields of view ( field of view number = 250 ), high depth of field and freedom from color aberration.

#### Magnification table

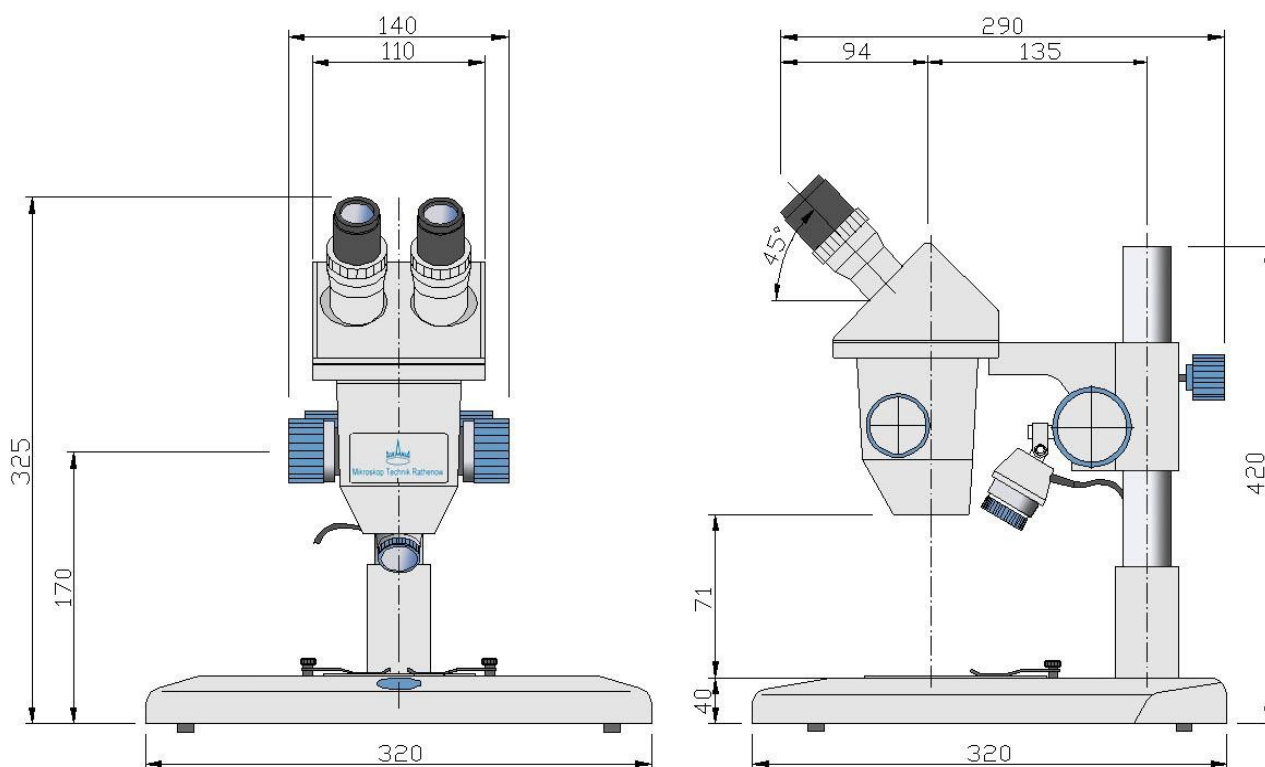
The following magnification table shows the possible magnifications and object fields  $\varnothing$  (mm) when using different eyepieces and attachment lenses. Zoom range 0.8x – 4x

Total magnification min -max (Binotube2x) Object field -  $\varnothing$ (mm)

Attachment lens Working distance eyepieces

## Technische Daten

Zoomfaktor	5:1		
Vergrößerung (Standard)	8x - 40x	Vergrößerung (min; max)	1,6x - 200x
Objektfelder (Standard)	25 mm – 5 mm	Objektfelder (min; max)	1 mm – 100 mm
Arbeitsabstand (Standard)	71 mm	Arbeitsabstand (min; max)	26 mm – 210 mm
Pupillendistanz	52 mm – 78 mm	Fehlsichtigkeitsausgleich	+/- 5 dpt h
Gewicht	Ca. 4 Kg	Foto-/TV-Ausgang	Nein



6,3x/25	10x/20	10x/25	12,5x/20	16x/12,5	25x/8	
<b>0,32x 210 mm</b>	1,6x - 8x 100 - 20	2,5x - 12,5x 80 - 16	2,5x - 12,5 100 - 20	3,2x - 16x 80 - 16	4x - 20x 50 - 10	6,3x - 32x 32 - 6,3
<b>0,5x 132 mm</b>	2,5x - 12,5x 63 - 12,5	4x - 20x 50 - 10	4x - 20x 63 - 12,5	5x - 25x 50 - 10	6,3x - 32x 32 - 6,3	10x - 50x 20 - 4
<b>0,63x 101 mm</b>	3,2x - 16x 50 - 10	5x - 25x 40 - 8	5x - 25x 50 - 10	6,3x - 32x 40 - 8	8x - 40x 25 - 5	12,5x - 63x 16 - 3,2
<b>--- 71 mm</b>	5x - 25x 32 - 6,3		8x - 40x 32 - 6,3	10x - 50x 25 - 5	12,5x - 63x 16 - 3,2	20x - 100x 20 - 2
<b>2x 26 mm</b>	10x - 50x 16 - 3,2	16x - 80x 12,5 - 2,5	16x - 80x 16 - 3,2	20x - 100x 12,5 - 2,5	25x - 125x 8 - 1,6	40x - 200x 5 - 1