

Stereo microscope - Zoom - SMC 4



Brief description & technical data

Stereomicroscope - Technology - SMT 4 for technical examinations in quality assurance

The SMT 4 is a telescope-type stereomicroscope (Ga-lilei) with parfocal infinity optics and a five-stage magnification changer.
five-stage magnification changer.

The easy attachment to machines, the compact and modular design and the large and great object freedom ensure unhindered manipulation of the object. Conveniently arranged interfaces enable quick retrofitting of interchangeable optics and additional units for object guidance and object lighting as well as equipment for photographic and video image documentation.
and video-technical image documentation.

Technical data

Zoom factor 10:1

Magnification (standard) 5x; 10x; 16x; 25; 50x

Magnification (min; max) 1x - 250x

Object fields (standard) 40; 20; 12.5; 8; 4mm

Object fields (min; max) 0.8mm - 160mm

Working distance

(standard)

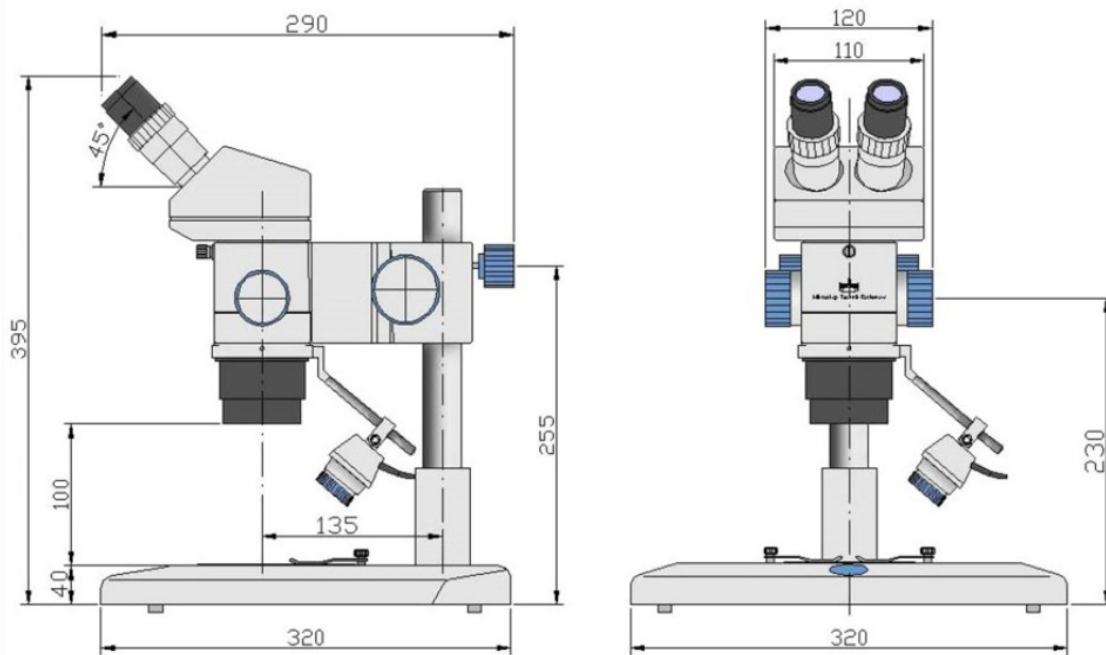
100mm working distance (min;
max)

30mm - 393mm

Pupillary distance 52 mm - 78 mm

Eyesight compensation +/- 5 dpt

Weight Approx. 8 kg Photo/TV output No,
optionally expandable



4

Vergrößerungstabellen

Gesamtvergrößerung / Objektfeld in mm

Objektiv Arbeitsabstand	Vergrößerungs- wechsler	Okular 6,3x (25)	Okular 10x (20)	Okular 12,5x (20)	Okular 16x (12,5)	Okular 25x (8)
Vorsatzlinse 0,5x 164mm	0,32x	1,6x / 100	2,5x / 80	3,2x / 80	4x / 50	6,3x / 32
0,63x	3,2x / 50	5x / 40	6,3x / 40	8x / 25	12,5x / 16	
1x	5x / 32	8x / 12,5	10x / 25	12,5x / 16	20x / 10	
1,6x	8x / 20	12,5x / 16	16x / 16	20x / 10	32x / 6,2	
3,2x	16x / 10	25x / 8	32x / 8	40x / 5	63x / 3,2	
Planachrom at 1x 100mm N.A. ~0,1	0,32x	3,2x / 50		6,3x / 40	8x / 25	12,5x / 16